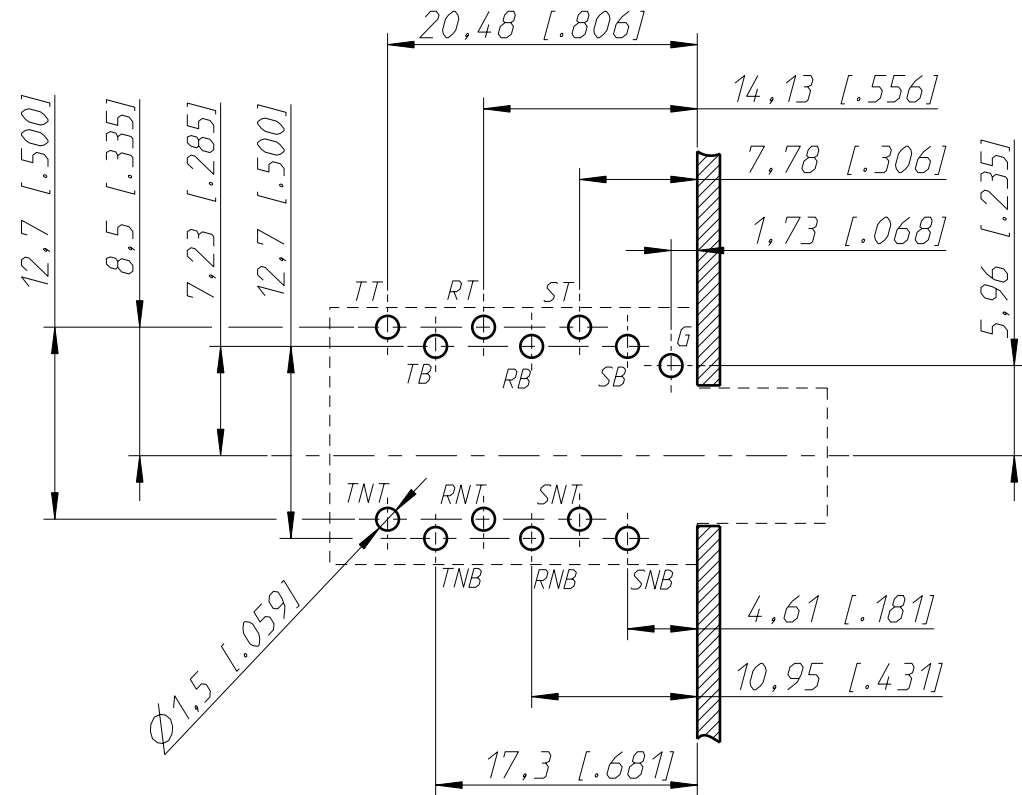
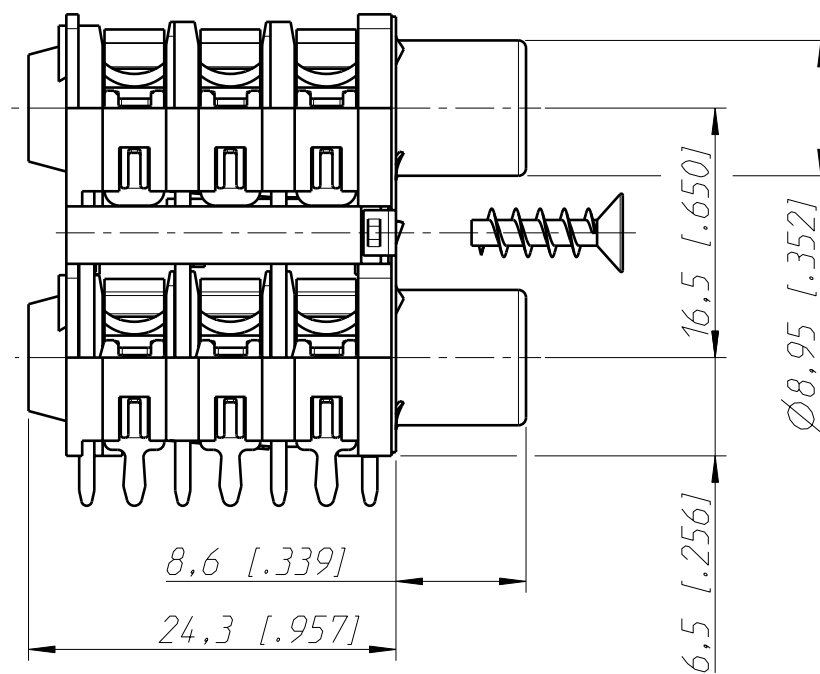
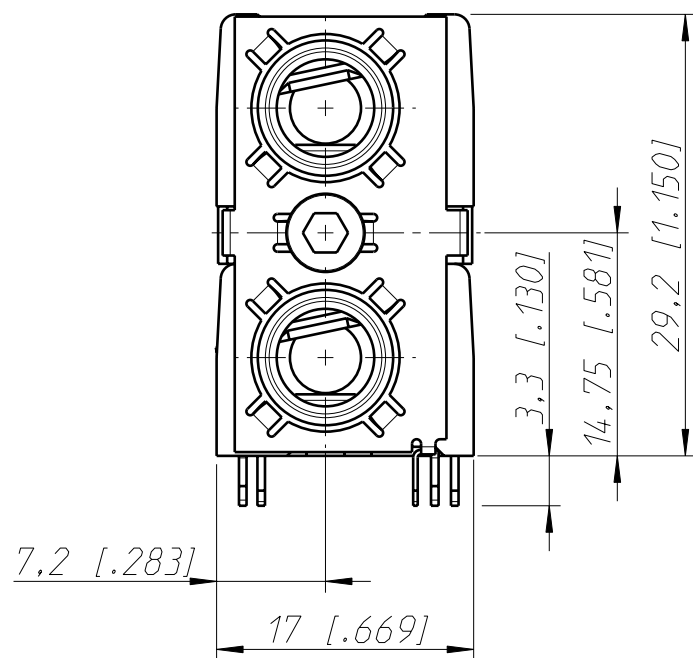
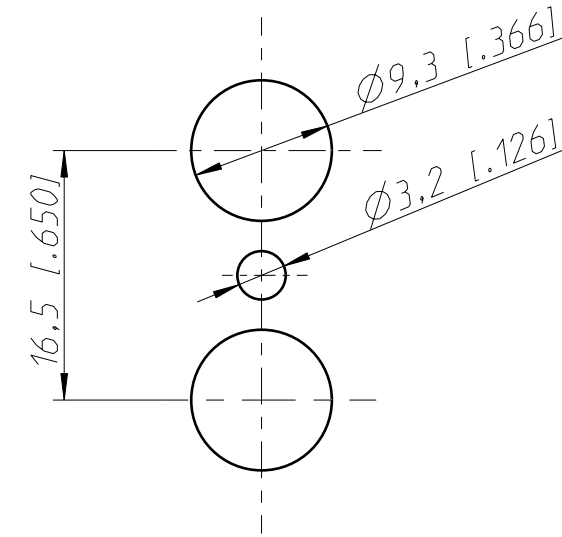


Print Bohrplan Bestückungsseite
PCB-Layout (component side)



Frontplattenausschnitt (Rückseite)
Panel cut out (rear side)



| | | | | | |
|----------------------------|----------------|-----------------------|------------------------|----------------------------|---------------|
| Sheet Number 1/1 | Projection | Scale 2:1 | Format A3 | Tolerancing ISO 2768-mK | |
| ECN Number | | Created 12.12.2002 | Modified 19.02.2021 | noe | |
| Description NSJ12HC | | | Approved 19.02.2021 | phk | |
| | | | Status Released | | |
| | | | 3D Model ID NSJ12HC | Document ID ST-NSJ12HC | Revision - |
| NEUTRIK | | | | | |