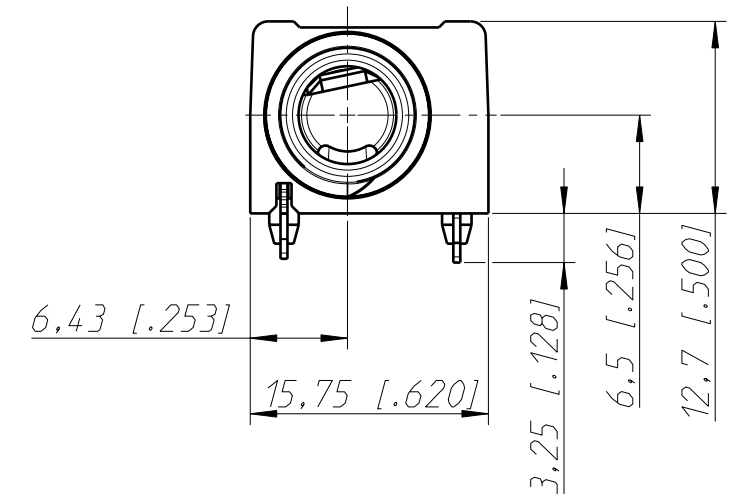
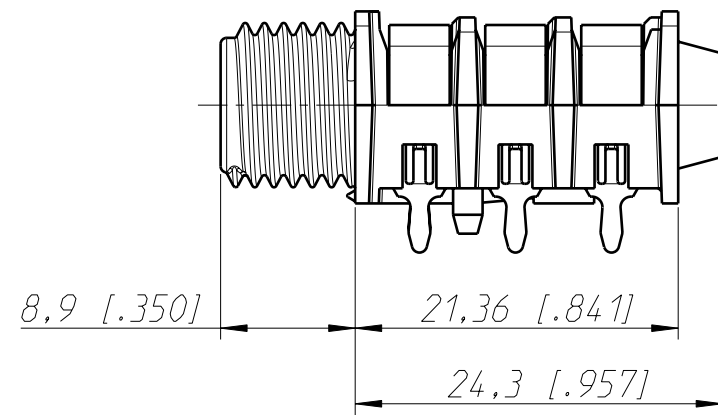
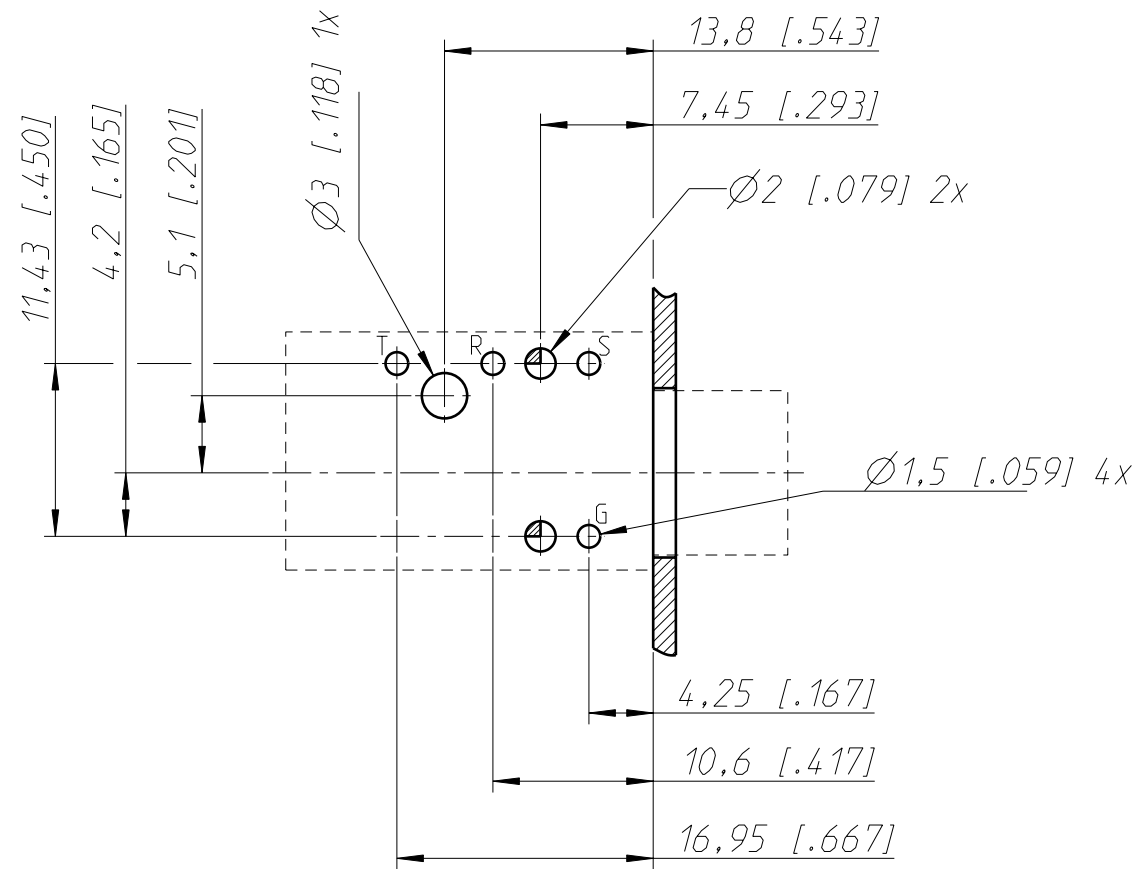
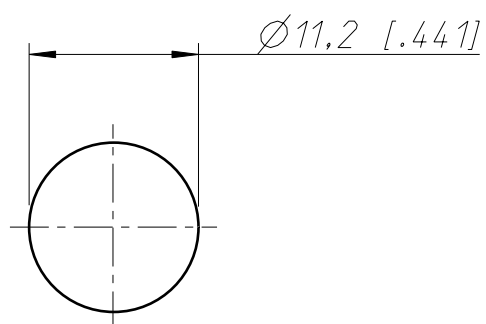


Print Bohrplan Bestückungsseite  
PCB-Layout (component side)

- Ø3 ... Anschraubbohrung (screw hole) optional
- Ø2 ... Zentrierstiftbohrungen (location pin holes)
- Ø1.5 ... Kontaktbohrungen (contact holes)



Frontplattenausschnitt (Rückseite)  
Panel cut out (rear side)



Sheet Number 1/1	Projection 	Scale 2:1	Format A3	Tolerancing ISO 2768-mK	
ECN Number -			Created 03.11.2003	noe	
Description  NRJ3HF-1			Modified 19.02.2021	mmu	
			Approved 19.02.2021	phk	
			Status Released		
NEUTRIK		3D Model ID NRJ3HF-1	Document ID ST-NRJ3HF-1	Revision -	