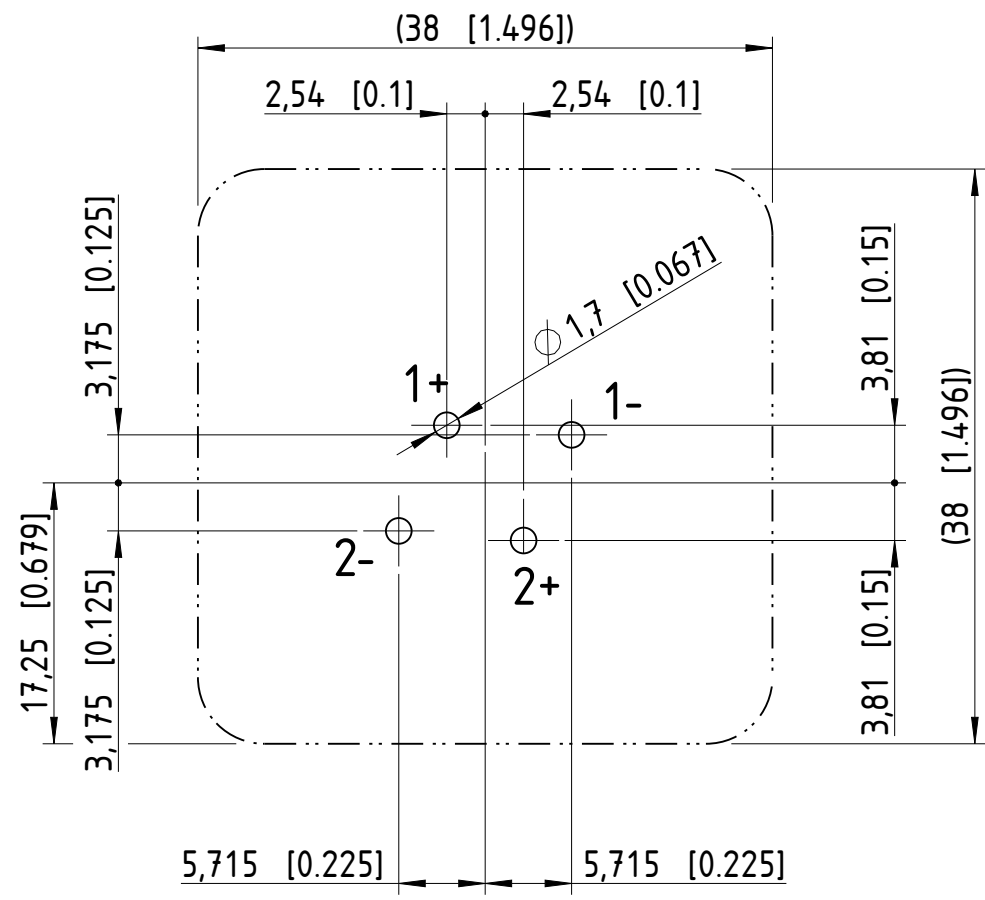
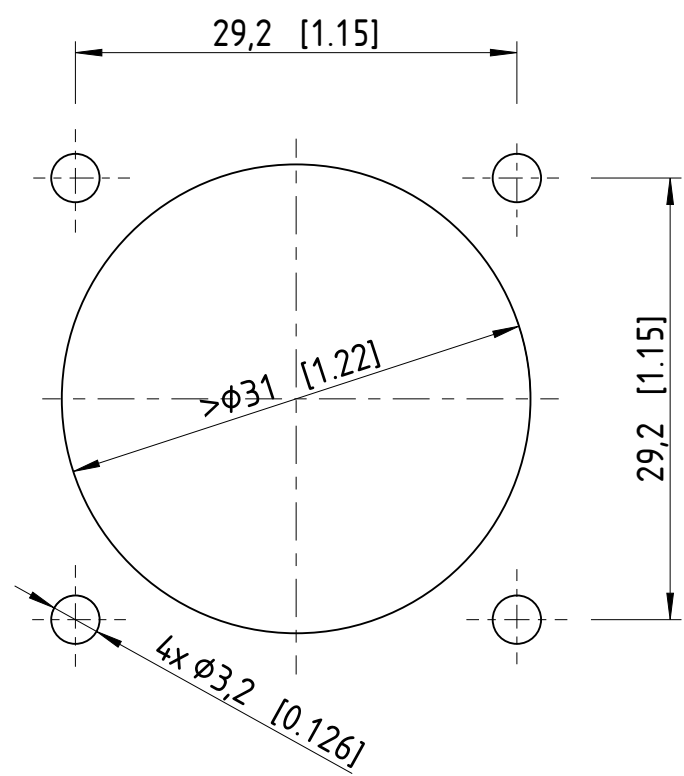


PCB Layout

Bestückungsseite / Component side



Panel Cut Out



Sheet Number 1/1	Projection 	Scale 1:1	Format A3	General Tolerancing ISO 2768 mK	
Description			Created on/by	30.05.2012	Dobler O.
NLT4FD-V			Approved on/by	17.12.2024	Schuster R.
			Article ID NLT4FD-V-B AG	Model ID NLT4FD-V-PCB	Drawing ID 20006286
Status Released	Revision		ECN Number		Neutrik Group