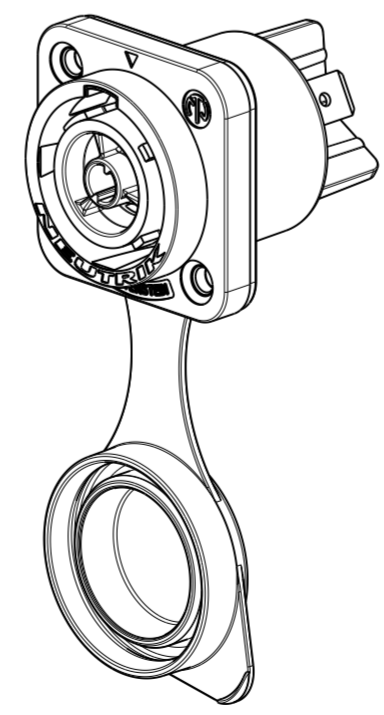


Frontplattenausschnitt (Rückseite)
panel cutout (rear side)



1:1

APPLIANCE OUTLET!

Sheet Number 1/1	Projection 	Scale 2:1	Format A2	General Tolerancing ISO 2768 mK	
Description			Created on/by	09.05.2023	Gerber G.
NAC3FPX-TRUE1			Approved on/by		
			Article ID	Model ID	Drawing ID
			NAC3FPX-TR UE1	30010623	20006061
Status			Revision	EEN Number	
			-	-	