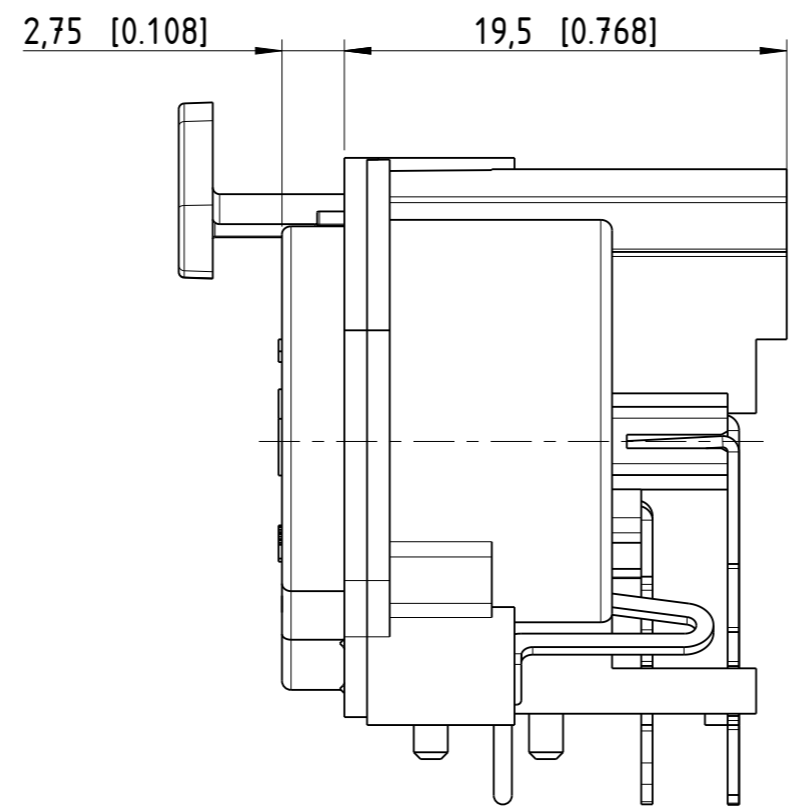
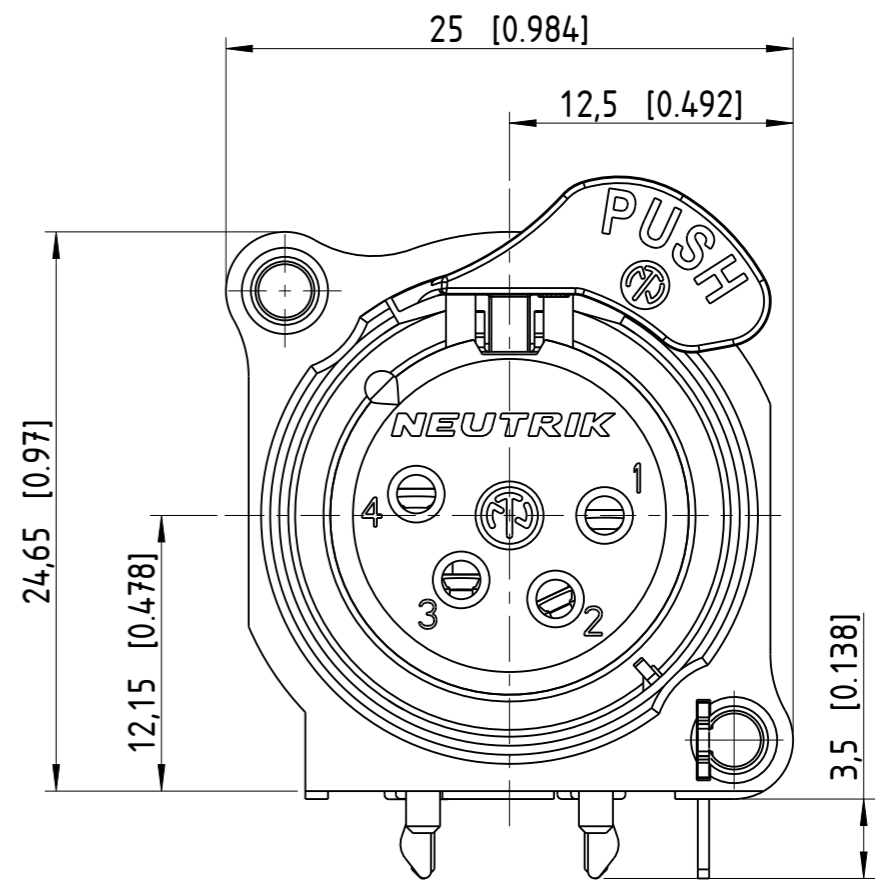


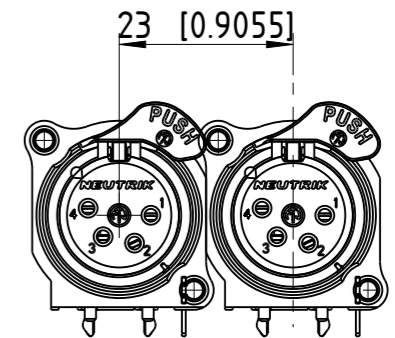
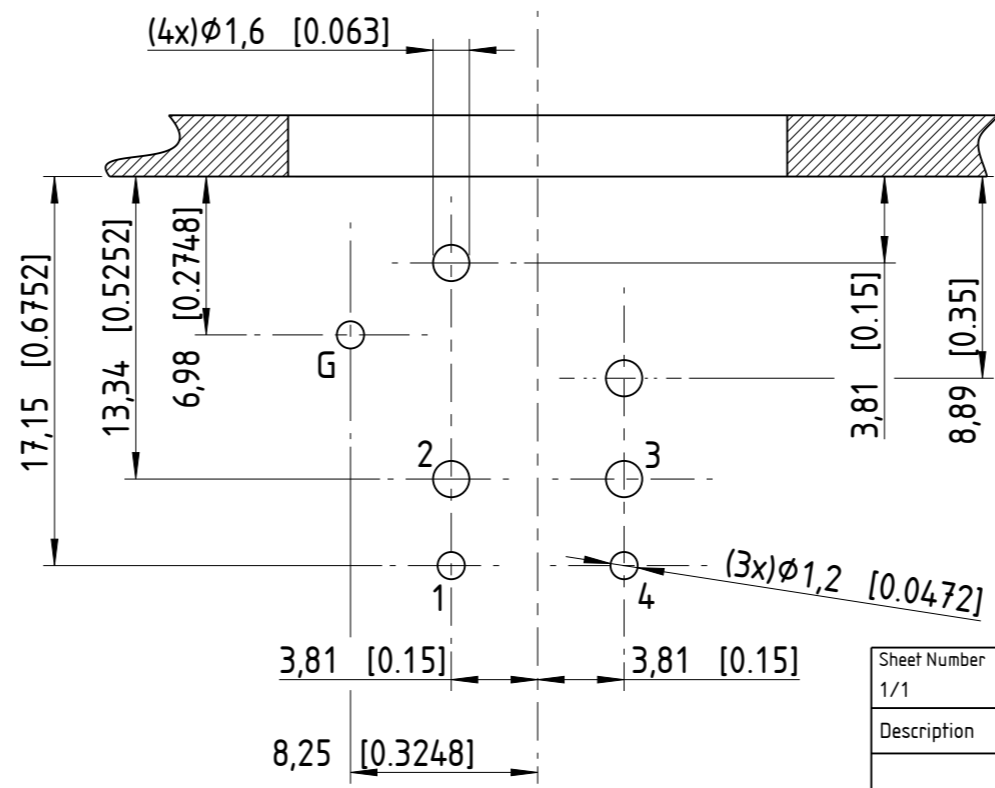
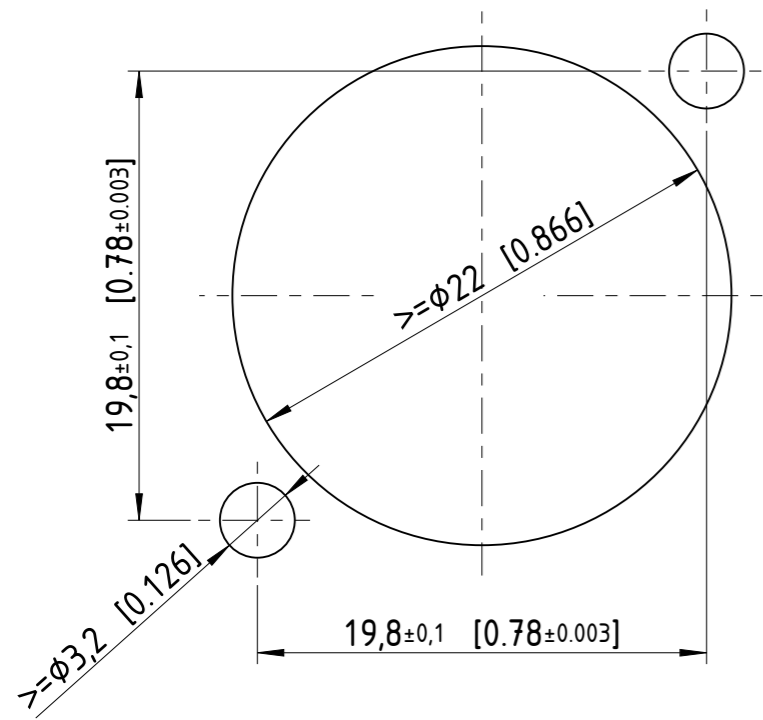
Frontplattenausschnitt (Rückseite)
Panel cut out (rear side)



Print Bohrplan (Bestückungsseite)
PCB Layout (component side)



min. Einbauabstand
min. assembling distance



M 1:1

Layout tolerance: ± 0.05 mm [0.002"]

Sheet Number 1/1	Projection 	Scale 3:1	Format A3	General Tolerancing ISO 2768 mK	
Description			Created on/by	30.06.2023	Schmiel T.
NC4FAH-AE			Approved on/by	04.07.2023	Schuster R.
			Article ID	Model ID	Drawing ID
			NC4FAH-AE	30010754	20004432
Status	Revision		ECN Number		Neutrik Group
Released					