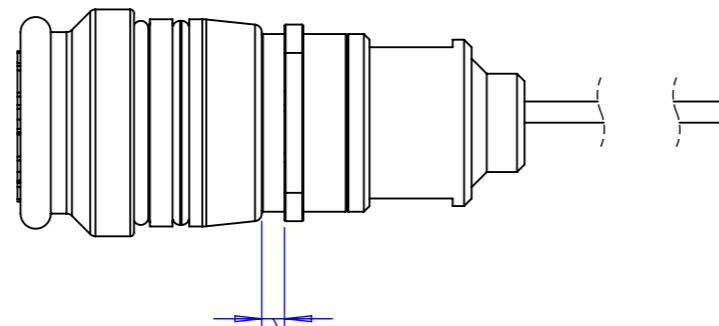
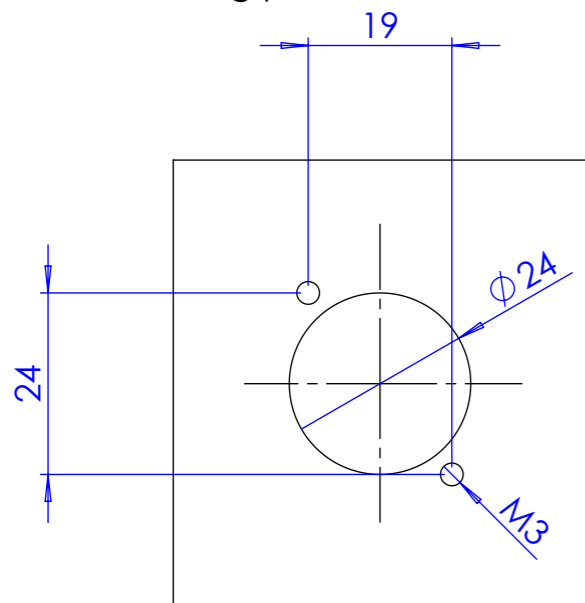
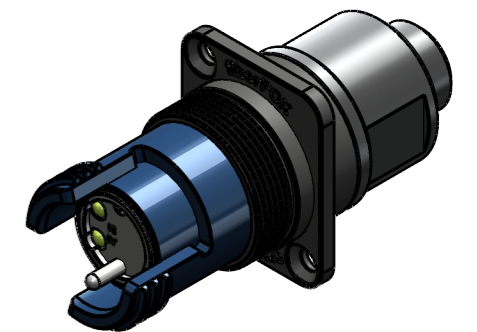


drilling pattern from the front



max. sheet thickness 1,5mm
with IP68 turned sealing
max. sheet thickness 3,5mm
without IP68 sealing



To mount from behind, it is possible to unscrew the case holder.
- Important, turn the IP68 Sealing!

To meet the IPx8 specification, the supplied screws (DIN-EN-ISO 7046 M3x10 A2 black galvanized) must be used. These screws must be tightened to a torque of 1.5 Nm.

Sheet Number 1/1	Projection 	Scale 1:1	Format A3	Tolerancing ISO 2768-	
g	cm ²	cm ³	Created	HeBo	24.11.2023
Material			Modified		
Material addition			Approved	HeBo	24.11.2023
Description N02SDW-FX-B0 FIBERFOX EBC15 SM 2CH chassis breakout			ECN Number		
			Status		
NEUTRIK		3D Model ID	Document ID		Revision 01