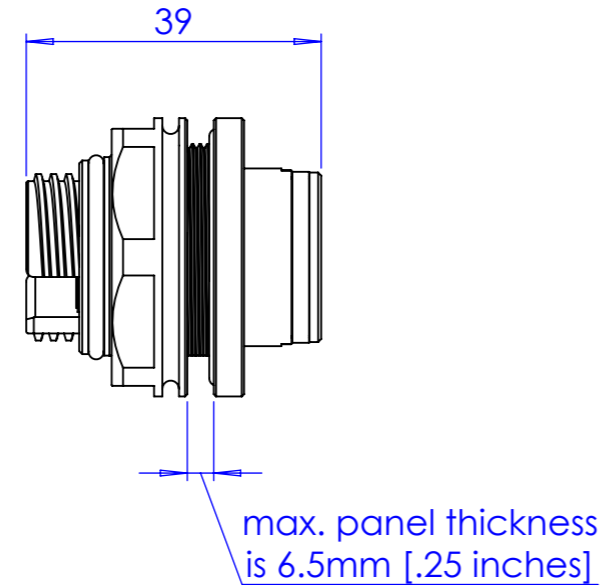
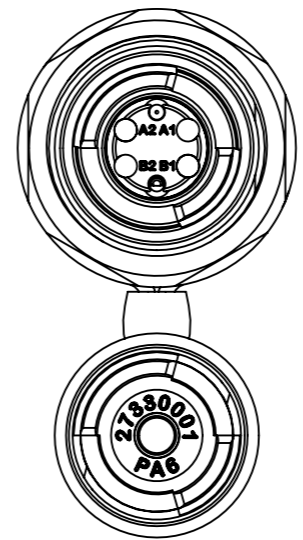
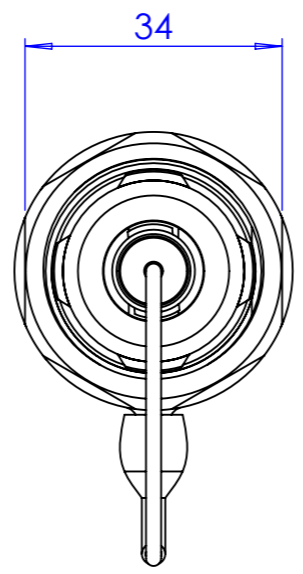
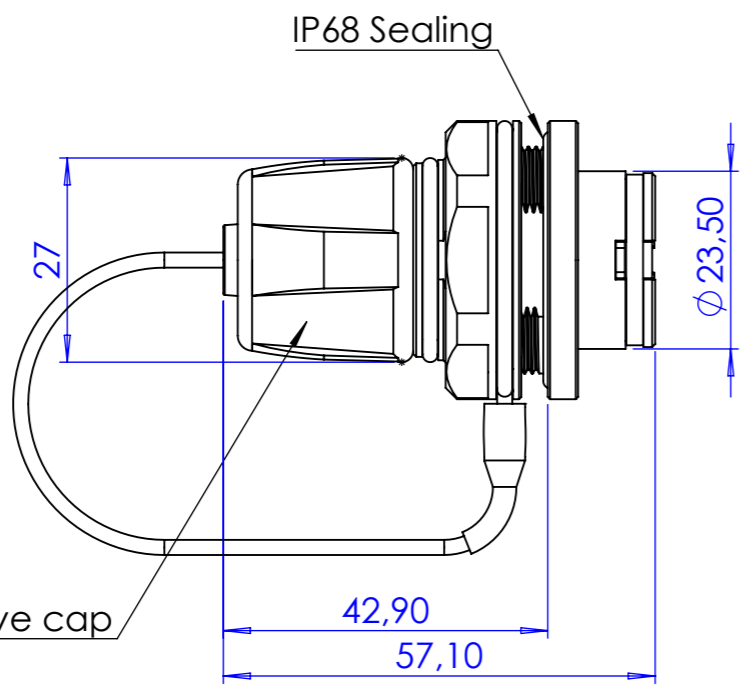
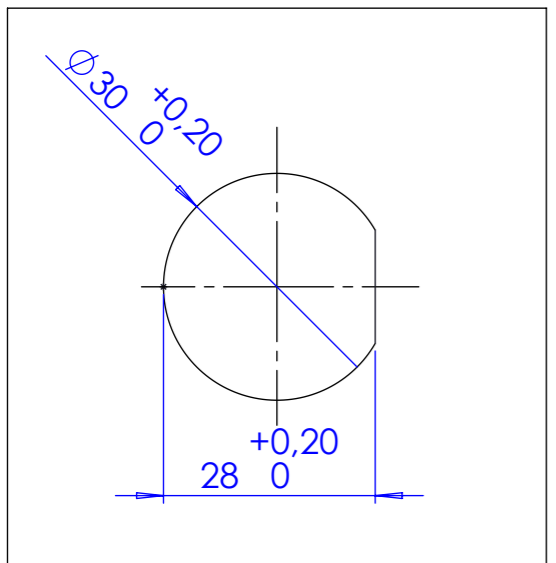


for 4x LC-Connector
MM 50/125



drilling pattern from the front



USE PROPERLY ALIGNED LC CONNECTORS ONLY

Before coupling, remove locking clips!

Avoid splayed connectors

Boot $\phi < 5\text{mm}$

Avoid splayed connectors by using LCs without anti-snag collars and a boot diameter $< 5\text{mm}$! (e.g. original FIBERFOX patch-cable)

Sheet Number 1/1	Projection 	Scale 1:1	Format A3	Tolerancing ISO 2768-
g	cm ²	28.58 cm ³	Created HeBo	09.08.2023
Material			Modified	
Material addition			Approved HeBo	09.08.2023
Description FF EBC25 briDge Chassis 4CH MM OM4			ECN Number	
			Status	
NEUTRIK	3D Model ID 41036433	Document ID 1036433	Revision 01	