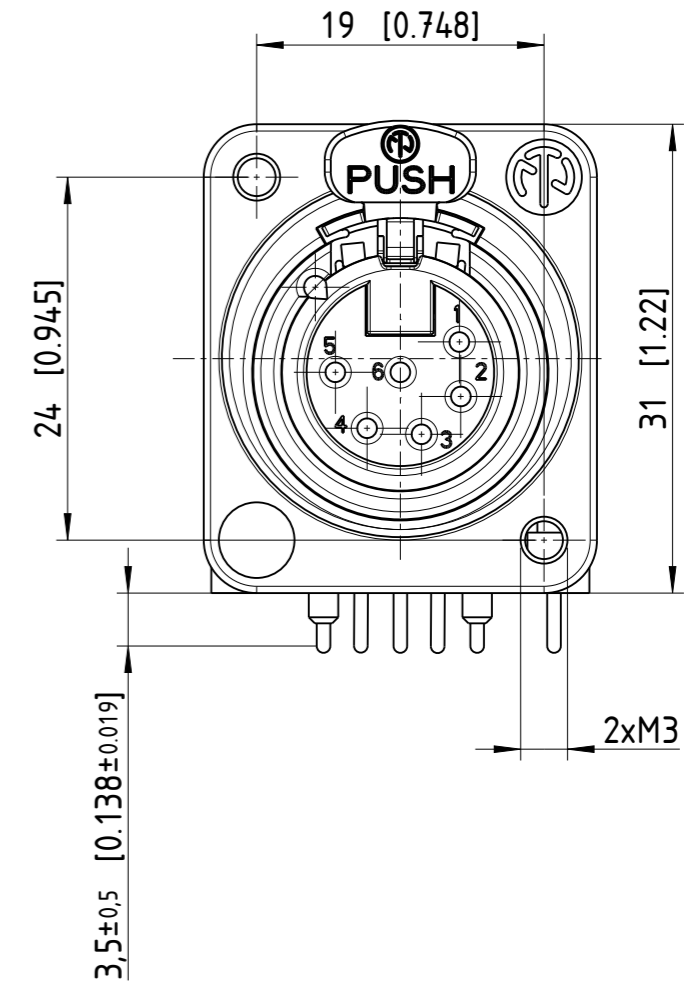
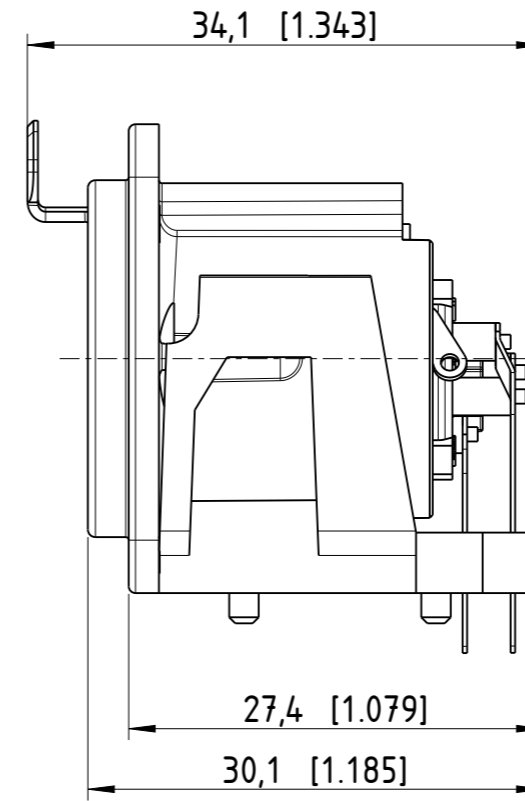
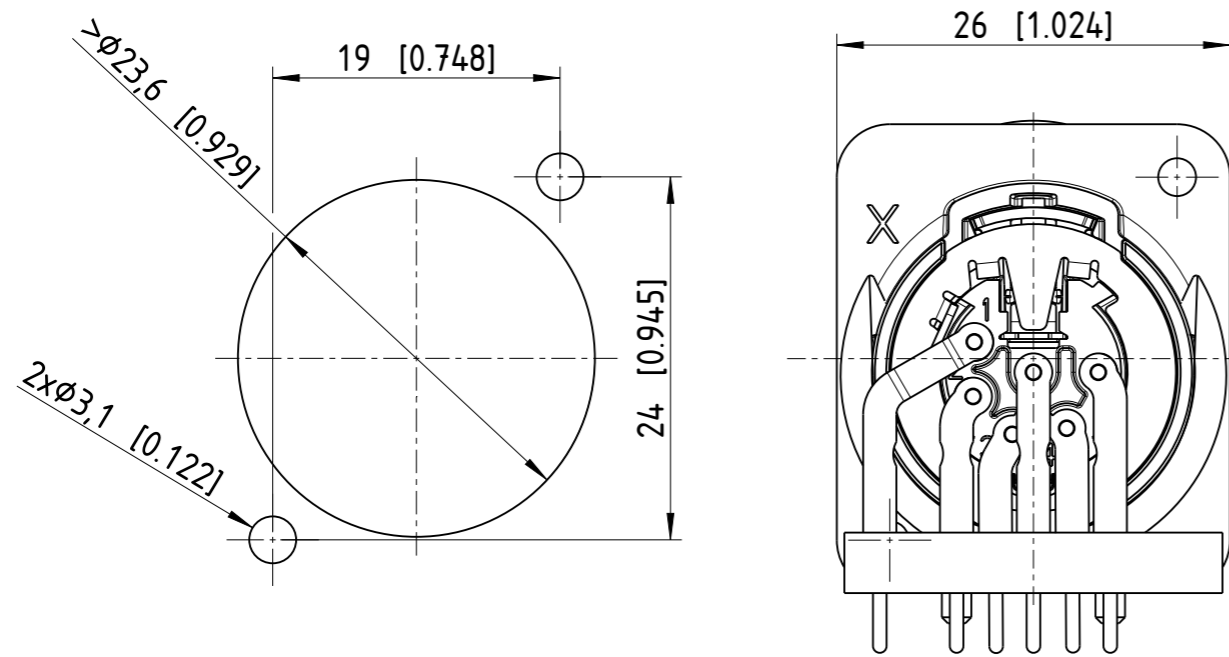


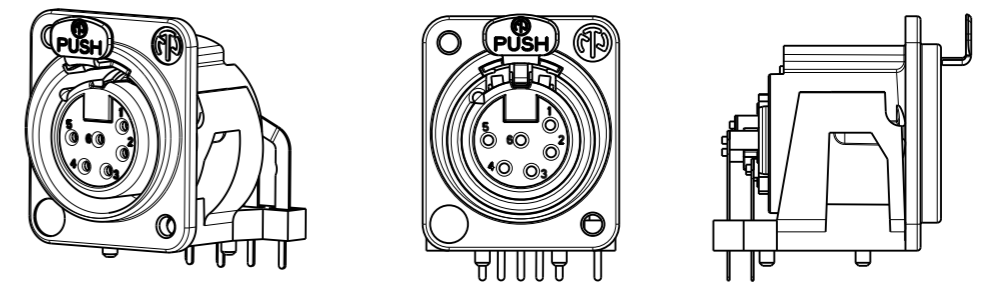
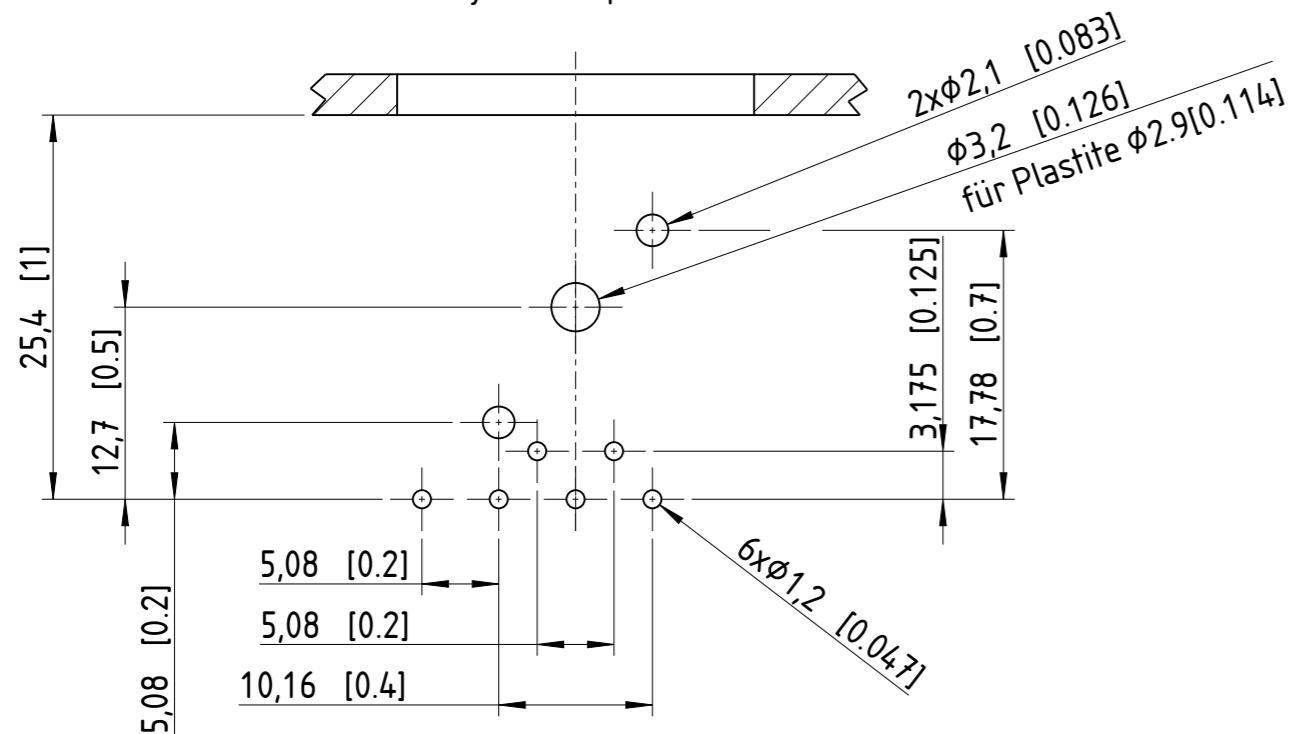
Frontplattenausschnitt (Rückseite)

panel cut out (rear side)



Print-Bohrplan (Bestückungsseite)

PCB-Layout (component side)



1:1

Sheet Number 1/1	Projection 	Scale 2:1	Format A3	General Tolerancing ISO 2768 mK	
Description			Created on/by	09.07.2020	Müller M.
NC6FDM3-H-1			Approved on/by	09.01.2024	Schmiedl T.
			Article ID	Model ID	Drawing ID
Status			Revision	ECN Number	
Released			-	-	

Neutrik Group