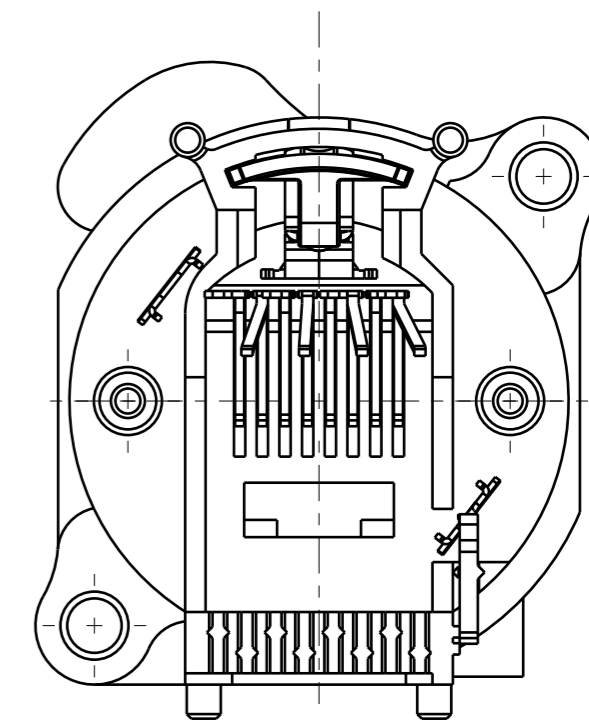
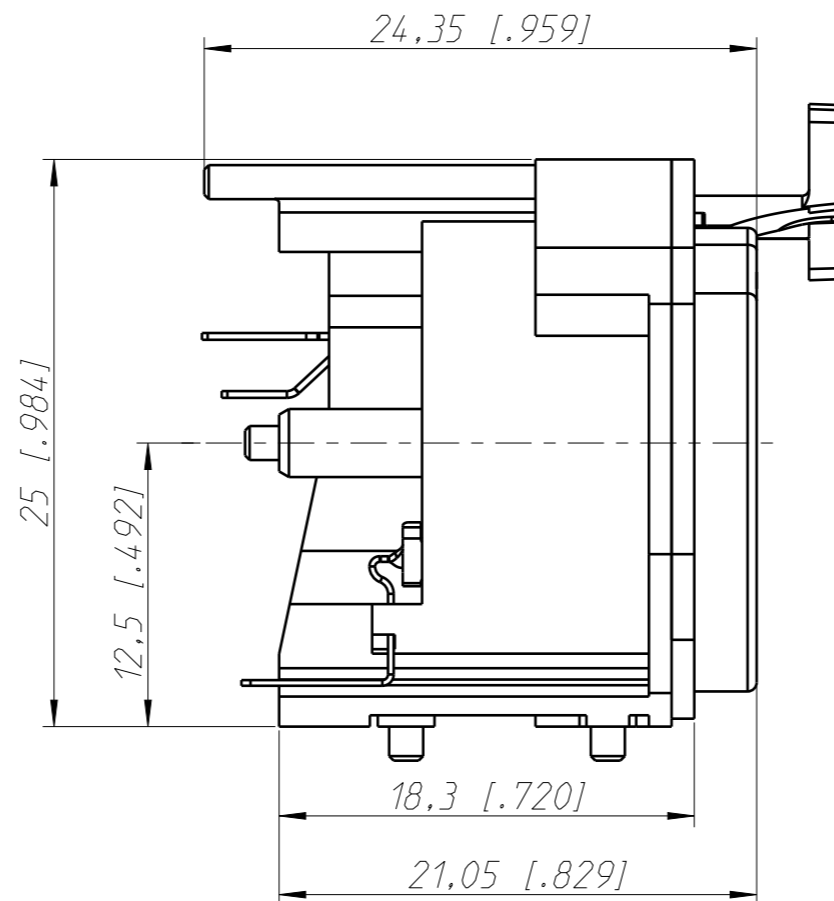
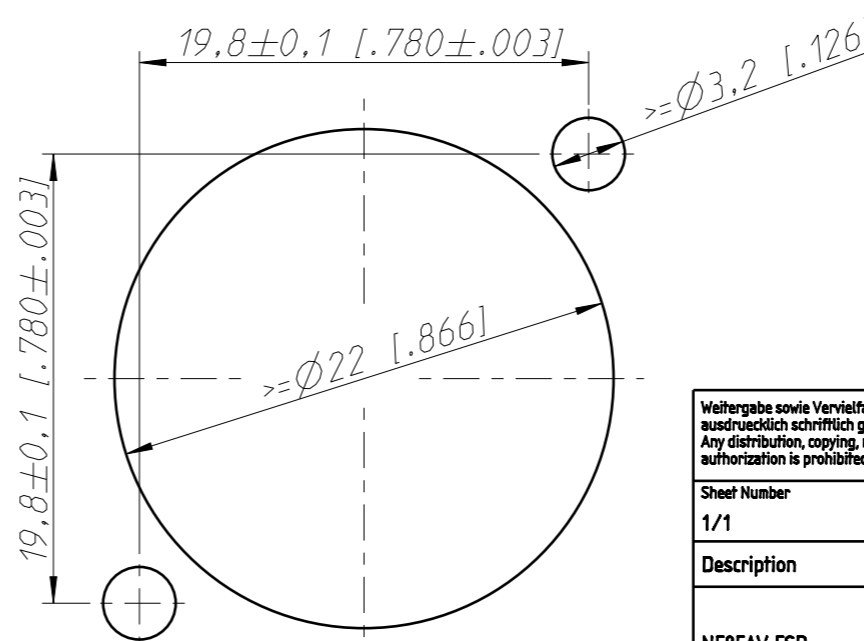
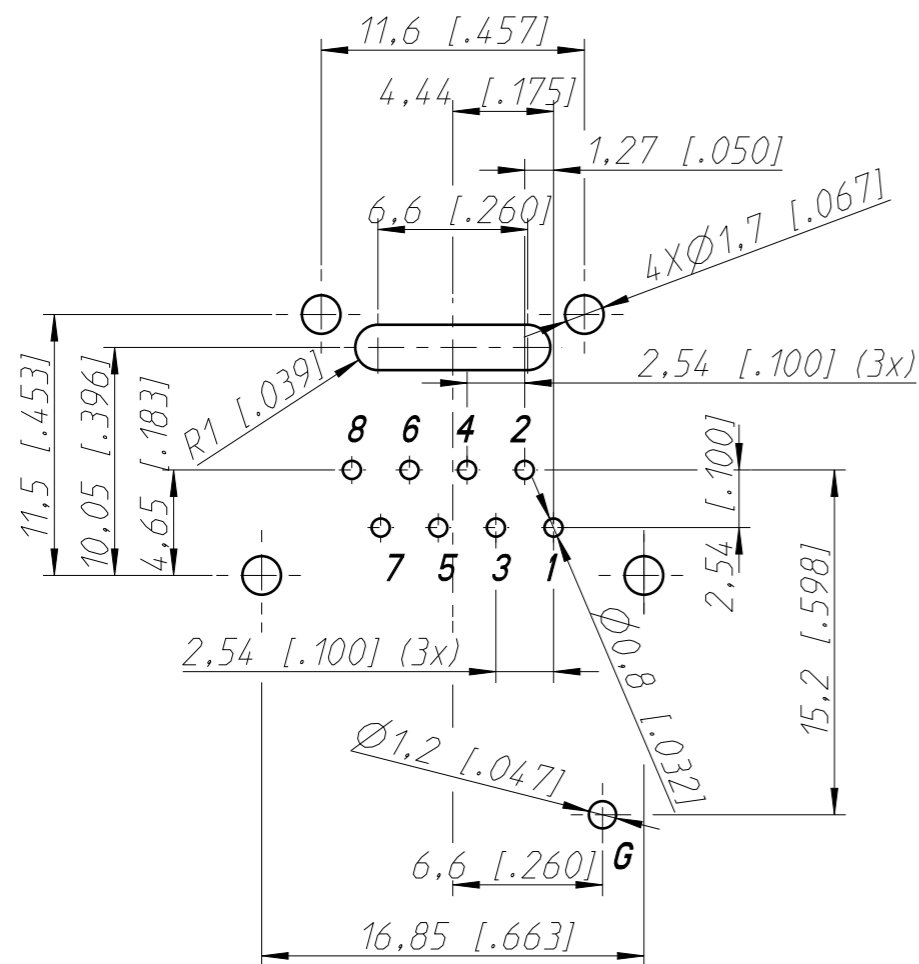


PCB- Layout
= contact arrangement seen
from backside (view to the very right)



Frontplattenausschnitt (Rueckseite)
Panel cut out (rear side)



Weitergabe sowie Vervielfaeltigung dieses Dokuments, Verwertung und Mitteilung seines Inhalts sind verboten, soweit nicht ausdruendlich schriftlich gestattet. Zuwiederhandlungen verpflichten zu Schadenersatz. Alle Rechte vorbehalten. Any distribution, copying, re-production and use of this document as well as any disclosure of its content without explicit written authorization is prohibited. Any violation obliges to the payment of damages. All rights reserved.

Sheet Number 1/1	Projection First Angle	Scale 3:1	Format A3	General Tolerancing ISO 2768 mK	
Description			Created on/by	18.02.2022	Schmiedl T.
NE8FAV-ESD			Approved on/by	20.07.2022	Mangeng M.
			Article ID	Model ID	Drawing ID
Status			30009526	20003778	
Released			Revision	ECN Number	
			-	-	Neutrik Group