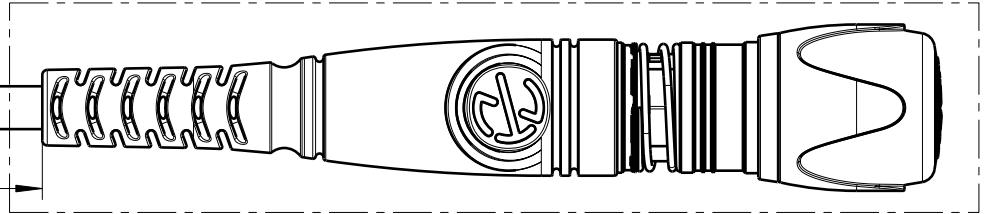
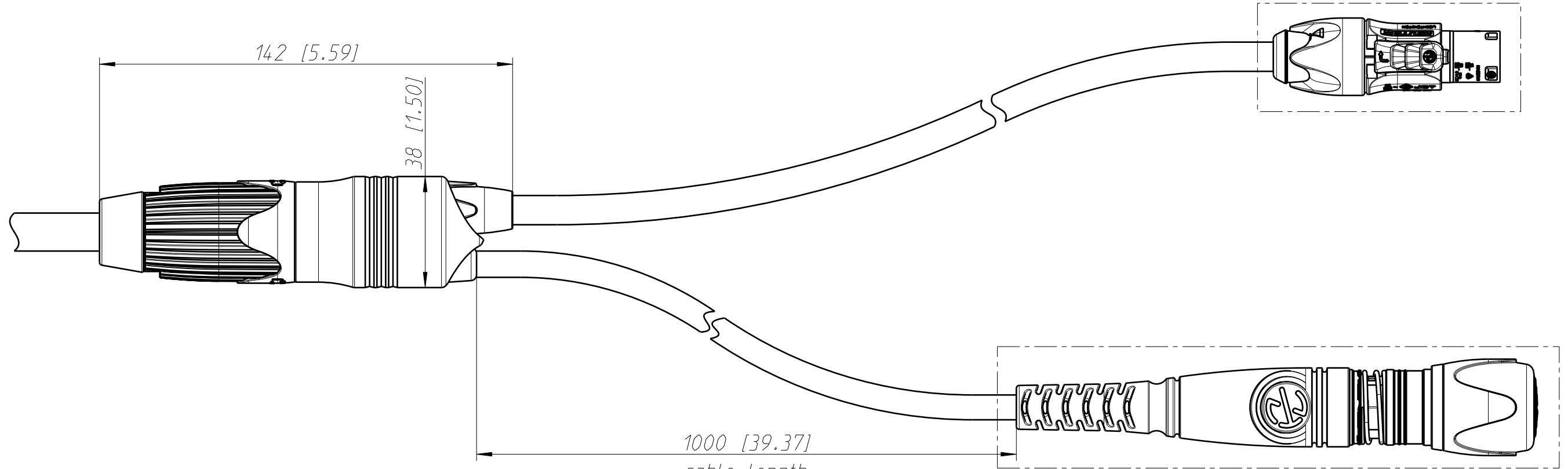
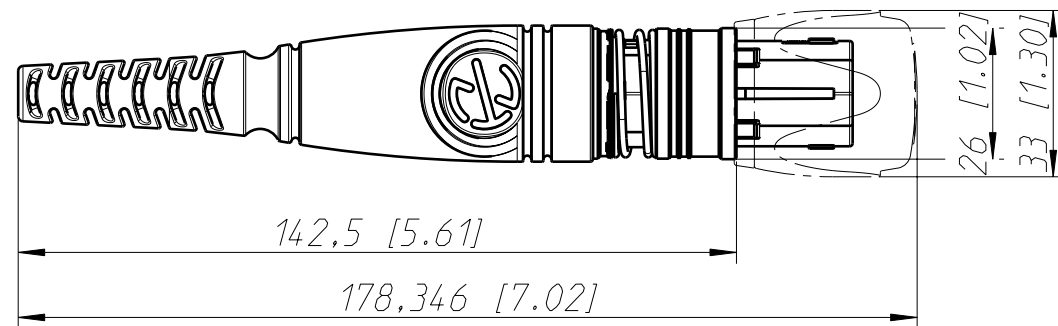
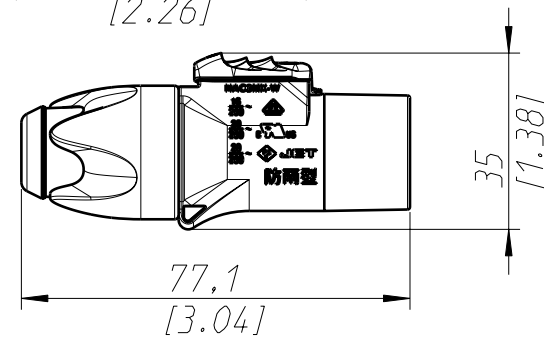
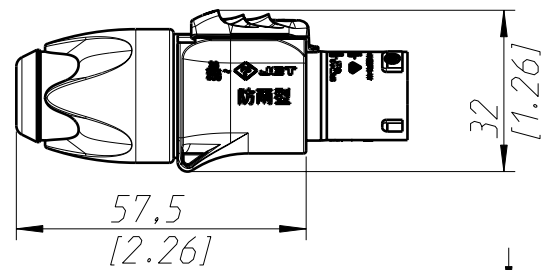


Power In: NAC3FX-W-TOP  
 Power Out: NAC3MX-W-TOP



for individual configuration use  
 part number generator



460.39g		106.94cm <sup>3</sup>		1414.76cm <sup>2</sup>		Scale 1:1.5 (A3)		Refer to protection notice ISO 16016. General tolerances ISO 2768-m		
Material		-		-		-		Drawn	Date	Name
Name		opticalCON powerSPLIT 2.5						Modified	-	-
								Change-No.	Sheet-No.	Index
								-	1 / 1	-
								Replacement for: Drawing-No. ST-NKOYPM		