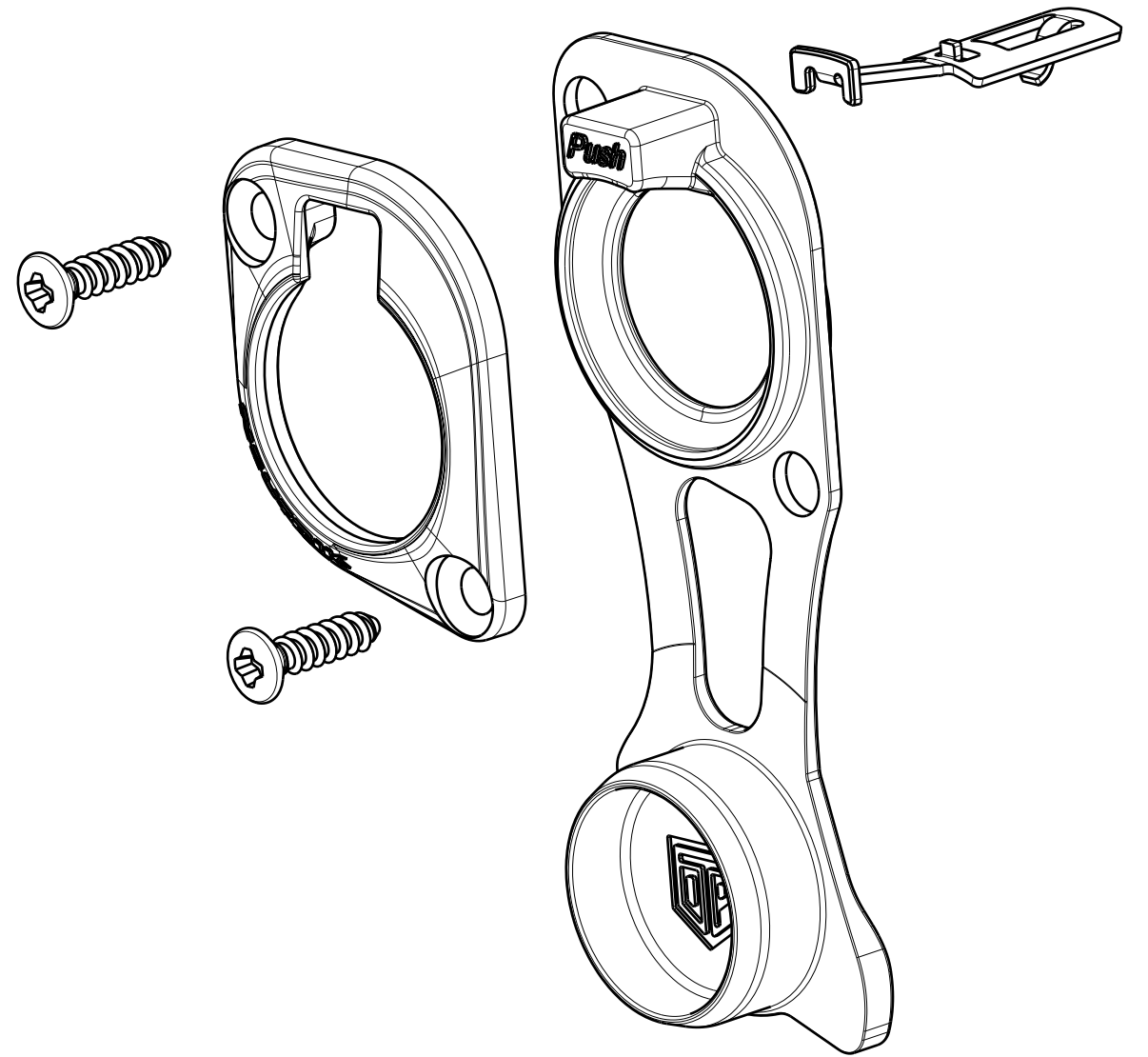
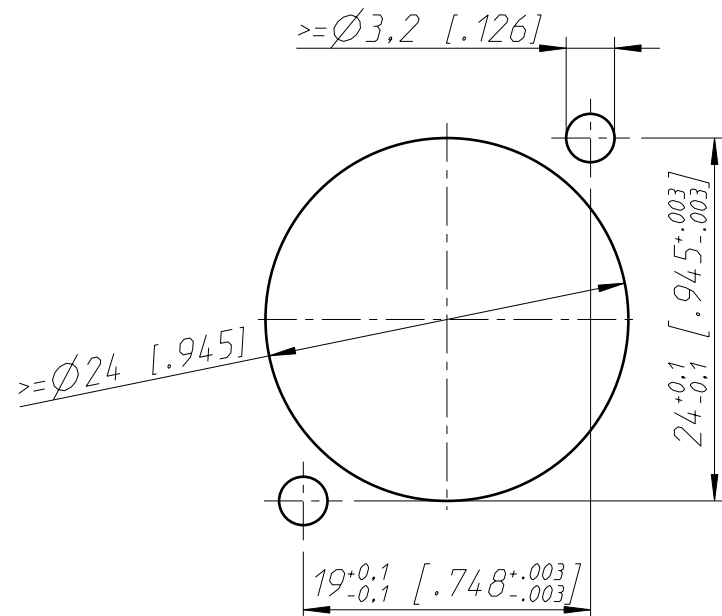


Frontplattenstärke 2-4mm
panel-thickness 2-4mm [0.079-0.157]



Frontplattenausschnitt (Rueckseite)
panel cut out (rear side)



| | | | |
|---------------------------------------|----------|--------------|-----------|
| General tolerances ISO 2768-m | Scale | Date | Name |
| Refer to protection notice ISO 16016. | 2:1 (A3) | 11.10.17 | Ender |
| Name | | Drawn | Modified |
| SE8FD-TOP | | - | - |
| | | Change-No. | Sheet-No. |
| | | - | 1 / 1 |
| | | Index | - |
| Replacement for: | | Drawing-No. | |
| NEUTRIK | | ST-SE8FD-TOP | |